



# User Manual

[www.doughty-engineering.co.uk](http://www.doughty-engineering.co.uk)

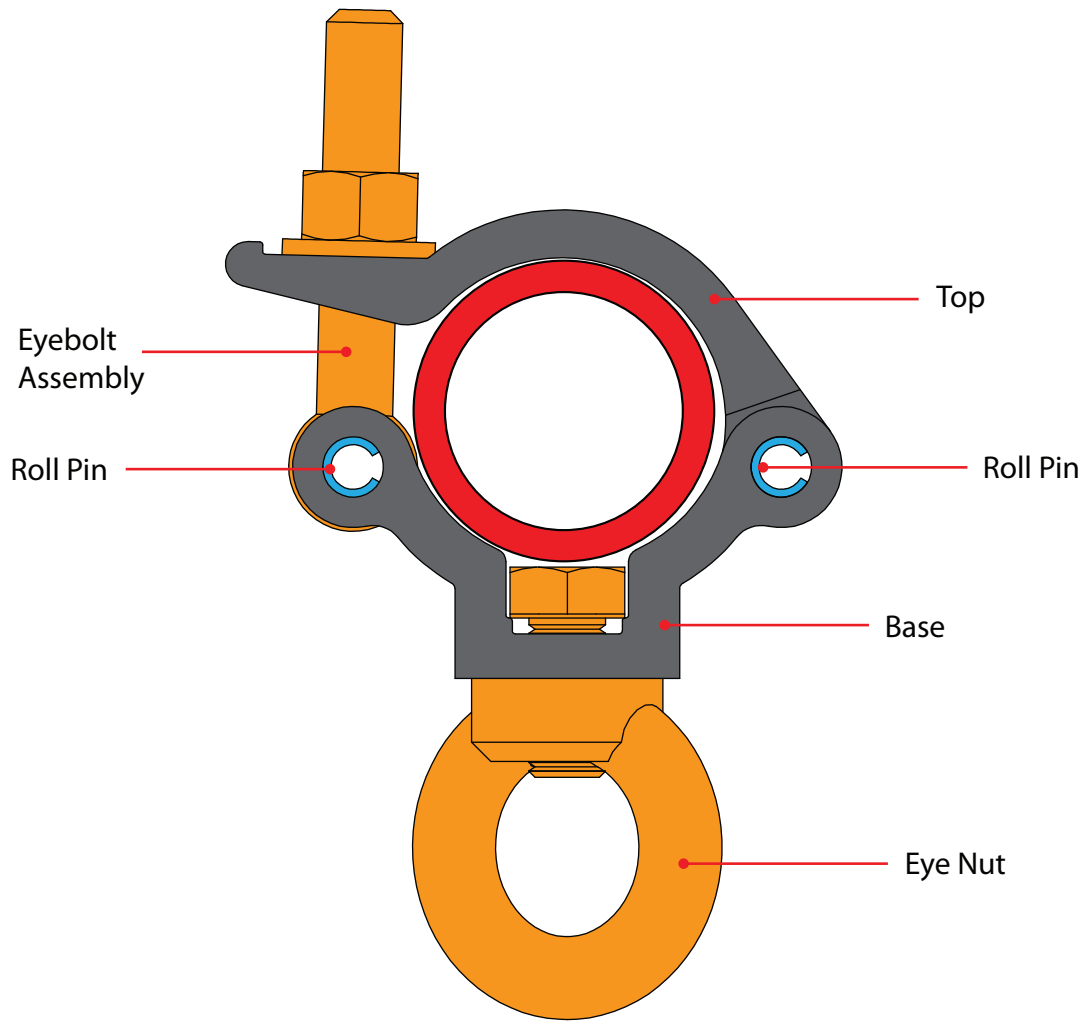
## T58109 Lightweight Hanging Clamp



Version 02/11



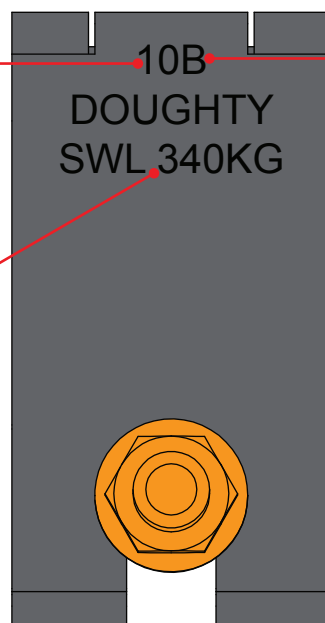
[www.doughty-engineering.co.uk](http://www.doughty-engineering.co.uk)



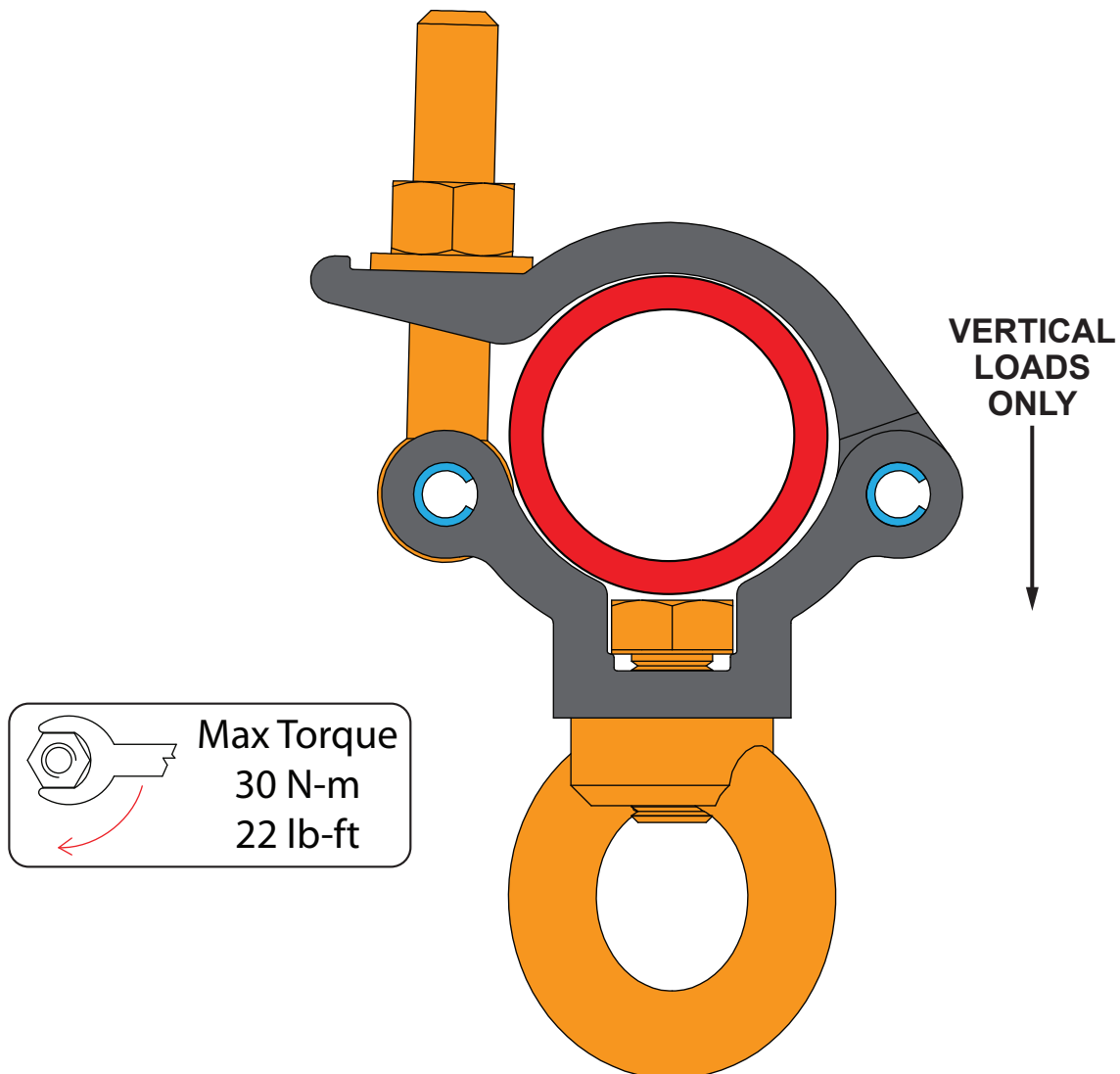
Year of Manufacturer  
i.e. - 09 = 2009  
**10 = 2010**  
11 = 2011



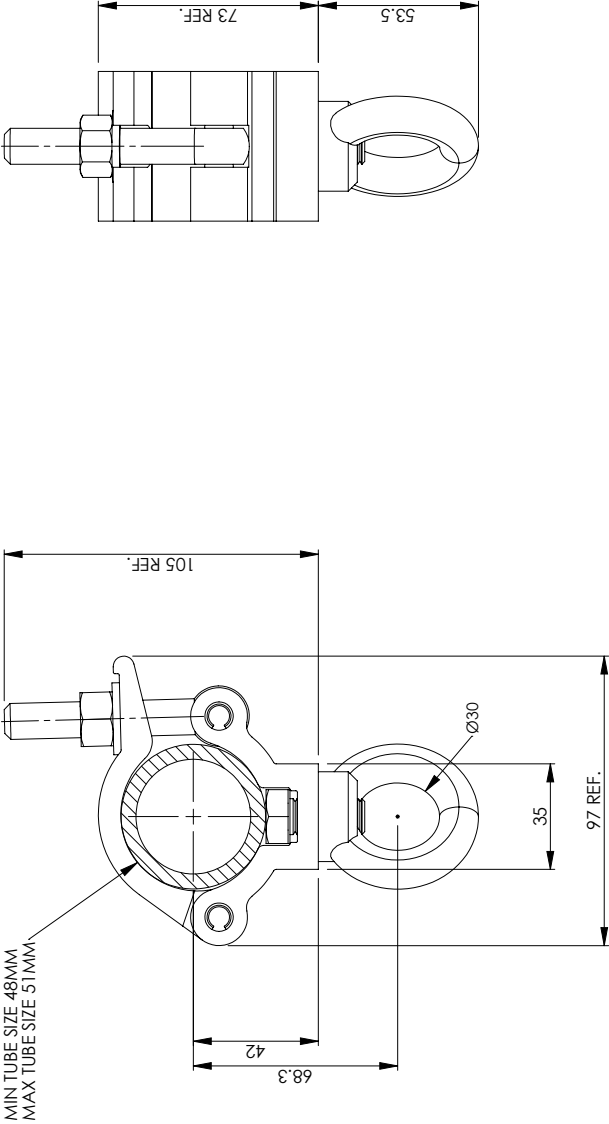
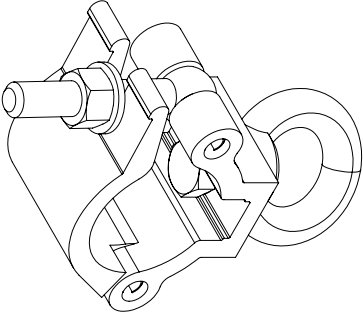
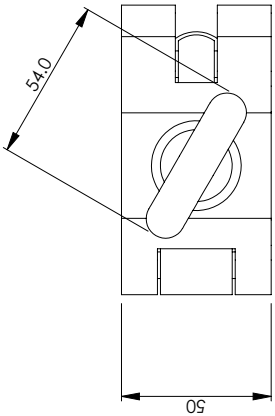
Month of Manufacturer  
i.e. - A = Jan  
**B = Feb**  
C = March

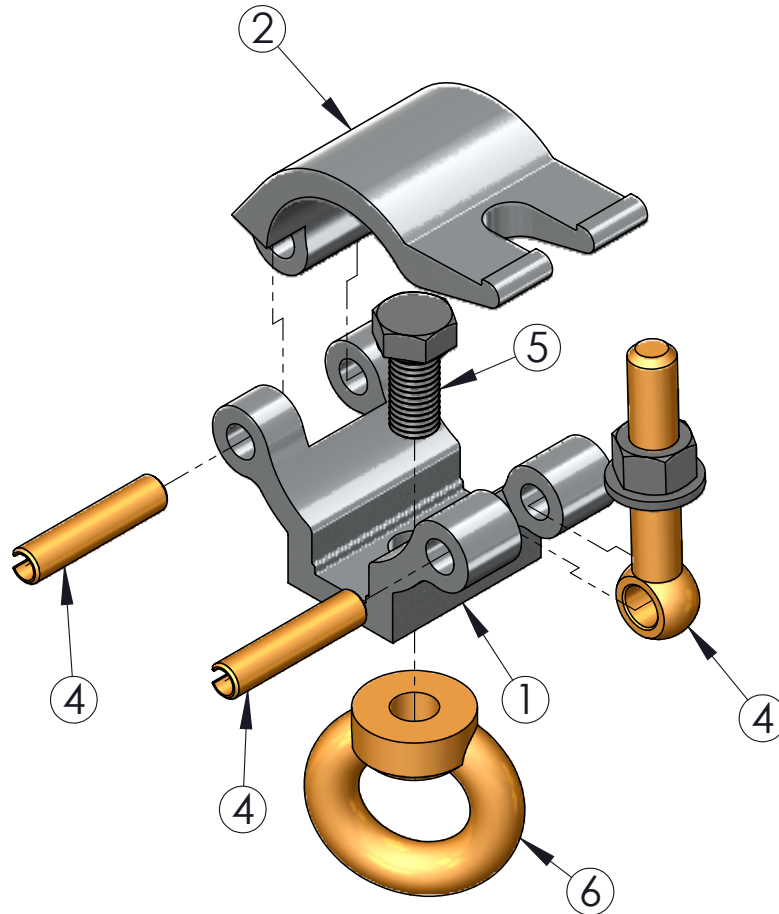
Safe  
Working  
Load



1. Never exceed the Safe Working Load (SWL) shown on the clamp.
2. Only use the clamp within the designed tube parameters (48-51mm)
3. All clamps should be visually inspected before use. In the event of any damage the clamp should be taken out of service and returned to an 'Approved Doughty Service Agent' for inspection. (see our dealer locator on our web site for a comprehensive list of Authorised Service Agents)
4. When used in conjunction with other accessories, care must be taken to ensure that the minimum SWL of any component is not exceeded.
5. Doughty Engineering Ltd does not recommend using any clamps which do not fully encompass the tube for overhanging. All open clamps including hookclamps should be used in a vertical orientation only.



 DOUGHTY ENGINEERING LTD	<b>DATA SHEET</b>	TITLE: DOUGHTY L/W HANGING CLAMP 50MM	PART NOS: T58109	MATERIAL :	WEIGHT: 0.44 KG	SWL: 340 KG	FINISH: POLISHED	NOTES: MIN TUBE SIZE - 48MM MAX TUBE SIZE - 51MM	<b>STRICTLY FOR REFERENCE PURPOSES ONLY</b>	 THIRD ANGLE PROJECTION
<div style="display: flex; justify-content: space-around;"> <div style="text-align: center;">  <p>MIN TUBE SIZE 48MM MAX TUBE SIZE 51MM</p> </div> <div style="text-align: center;">  </div> </div> <div style="display: flex; justify-content: space-around; margin-top: 20px;"> <div style="text-align: center;">  </div> </div>										



DOUGHTY PRODUCTS MUST ONLY BE SERVICED / REPAIRED BY  
AN AUTHORISED SERVICE AGENT.  
SPARE PARTS ARE ONLY AVAILABLE TO THESE AGENTS

ITEM NO.	PART NUMBER	DESCRIPTION	Spares/QTY.
1	TH640	MACHINED L/W DOUGHTY CLAMP BASE	1
2	TH257	MACHINED L/W DOUGHTY CLAMP TOP	1
4	F790	0.375" X 1.75" STAINLESS STEEL ROLL PIN	2
4	T78005	M12 X 104 EYEBOLT ASSEMBLY	1
5	F831	M12 X 25 SET BZP	1
6	T42300	M12 EYENUT (340Kg SWL)	1

## T58109 - DOUGHTY L/W HOOK CLAMP



DRAWN	AW
DATE	31/01/2011
Rev	1

NOT TO SCALE



**Doughty Engineering Limited**

CROW ARCH LANE, RINGWOOD, HANTS, BH24 1NZ. ENGLAND

Telephone: +44 (0) 1425 478961 Fax: +44 (0) 1425 474481

www.doughty-engineering.co.uk

email:sales@doughty-engineering.co.uk

**EC DECLARATION OF CONFORMITY**

Doughty Engineering Limited hereby certify that the equipment stated below has been designed to comply with all relevant sections of the specifications referenced below and complies with all the applicable Essential Requirements of the EC Directives and amendments and the National Laws and Regulations adopting these Directives.

**Description:** Lightweight Hanging Clamp

**Model/s:** Part No. T58109

**SWL:** 340Kg      **Factor:** 5:1

are in conformity with the provision of the following EC Directives:

MACHINERY DIRECTIVE 98/37/EC


**Harmonised Standards applied:**

EN 292-1-2:1991

BS EN ISO 9001:1994

**National Technical Standards & Specifications applied:**

BS 7905-1:2001

Signed:  Date:23-04-08

Name: Nigel Curtis      Position: Technical Director

Being the responsible person appointed by the manufacturer.



DEQ 083 Rev 4

Company Registration No. London 972614  
Registered Office: Crow Arch Lane, Ringwood, Hants, BH24 1NZ  
Directors: M.B.Lister. J.C.G. Chiverton. N.D. Curtis. S.C. Wright





**Doughty Engineering Ltd**

Crow Arch Lane

Ringwood, Hampshire, BH24 1NZ

Tel: +44 (0) 1425 478961 Fax: +44 (0) 1425 474481

email: [sales@doughty-engineering.co.uk](mailto:sales@doughty-engineering.co.uk)

Web: [www.doughty-engineering.co.uk](http://www.doughty-engineering.co.uk)

Note: Whilst every effort has been made to ensure that the information contained within this manual is correct, Doughty Engineering does not accept any liability for errors or omissions. Specifications and technical data are intended for guidance purposes only and may vary.