



# User Manual

[www.doughty-engineering.co.uk](http://www.doughty-engineering.co.uk)

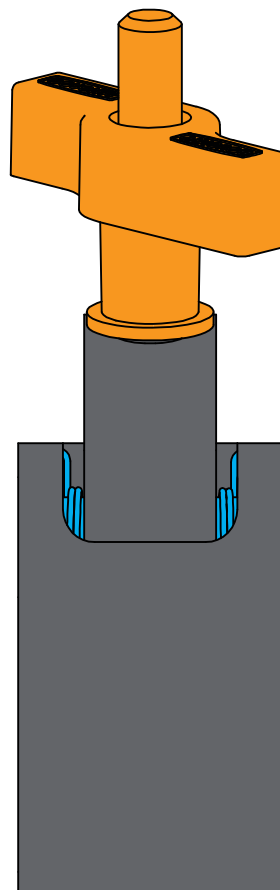
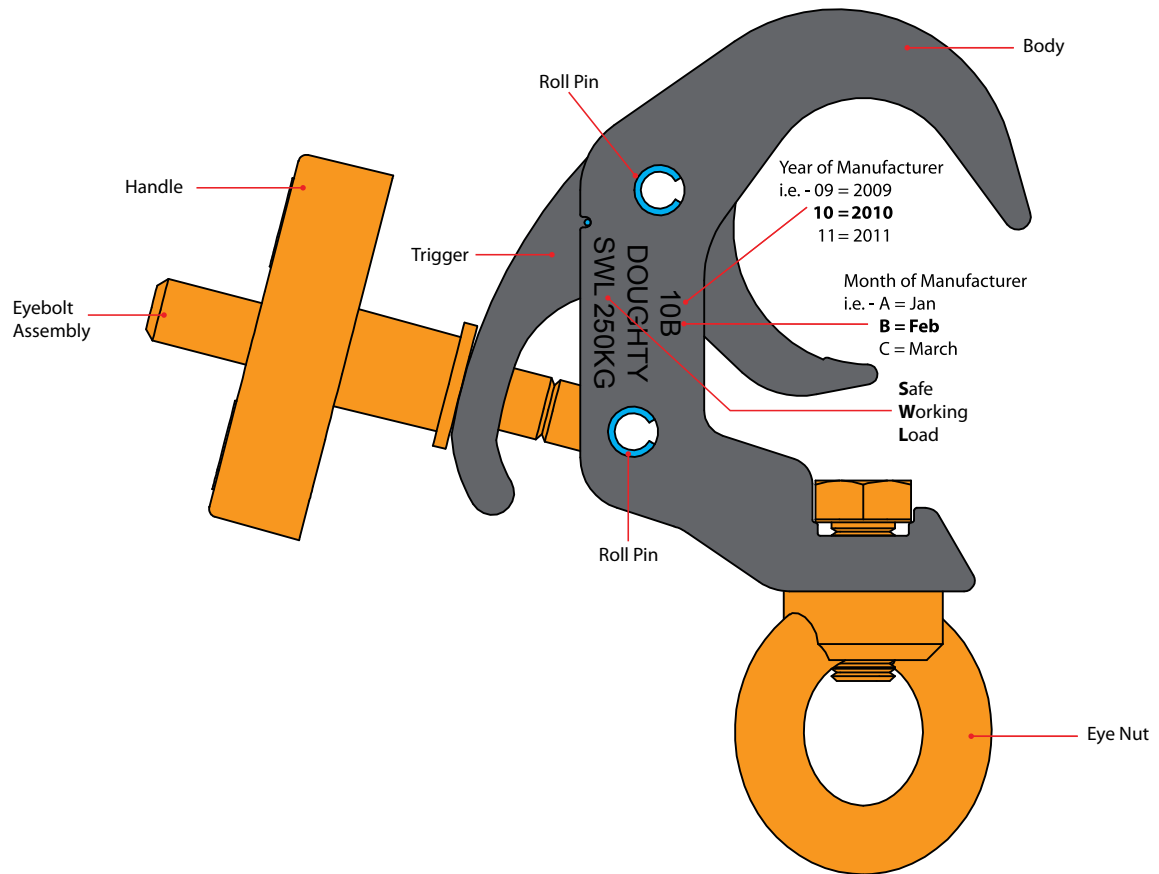
## T58215 / T58216 Quick Trigger Hanging Clamp



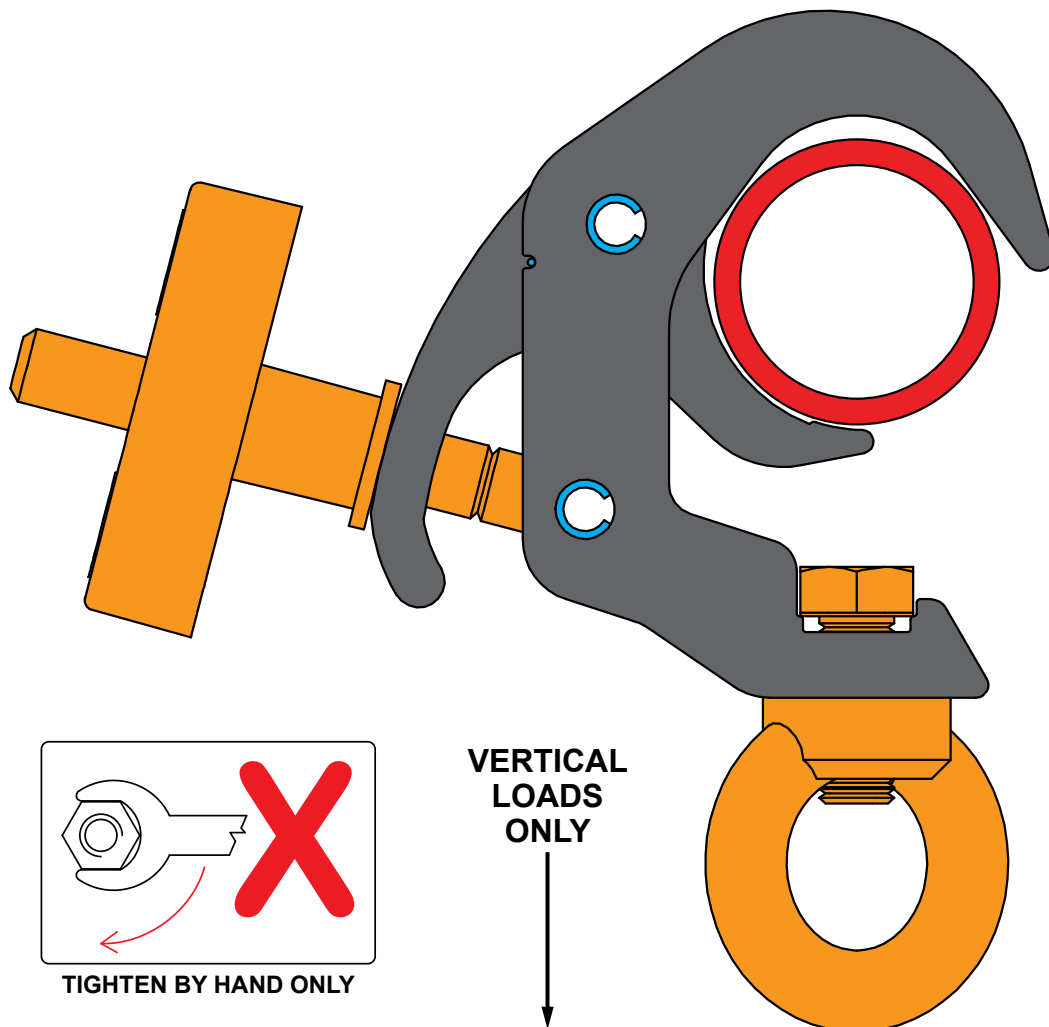
Version 10/11



[www.doughty-engineering.co.uk](http://www.doughty-engineering.co.uk)



1. Never exceed the Safe Working Load (SWL) shown on the clamp.
2. Only use the clamp within the designed tube parameters (38-51mm)
3. All clamps should be visually inspected before use. In the event of any damage the clamp should be taken out of service and returned to an 'Approved Doughty Service Agent' for inspection. (see our dealer locator on our web site for a comprehensive list of Authorised Service Agents)
4. When used in conjunction with other accessories, care must be taken to ensure that the minimum SWL of any component is not exceeded.
5. Doughty Engineering Ltd does not recommend using any clamps which do not fully encompass the tube for overhanging. All open clamps including hookclamps should be used in a vertical orientation only.





DOUGHTY ENGINEERING LTD

**DATA SHEET**

**TITLE:**  
QUICK TRIGGER HANGING  
CLAMP

**PART NOS:**  
T58215 - SILVER  
T58216 - BLACK

**MATERIAL:**  
ALUMINIUM

**WEIGHT:**  
0.97 KG

**SWL:**  
250 KG

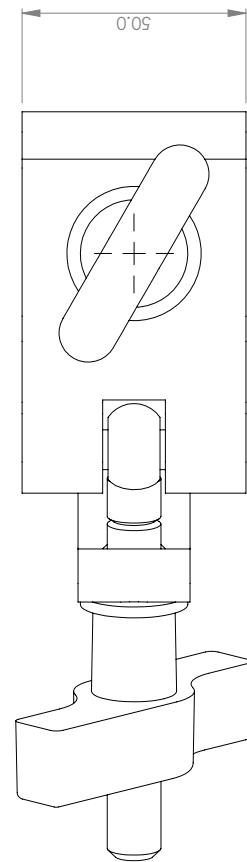
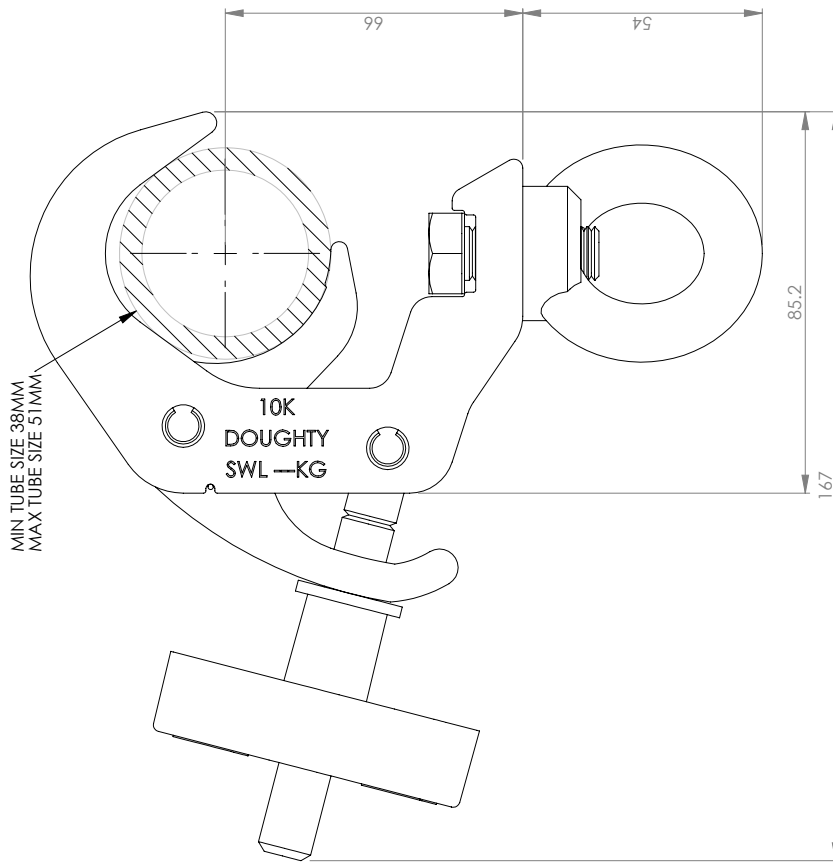
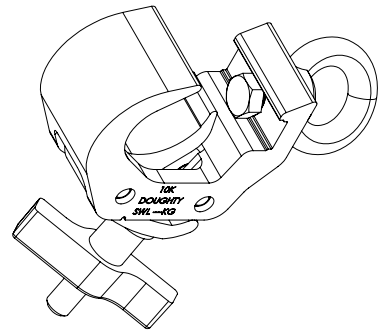
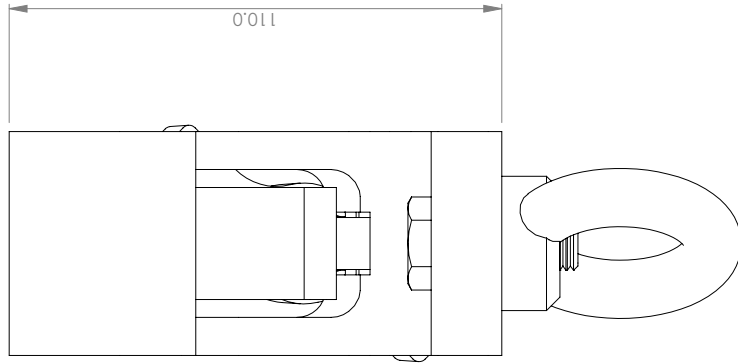
**FINISH:**  
T58215 - POLISHED  
T58216 - POWDER PAINTED  
BLACK

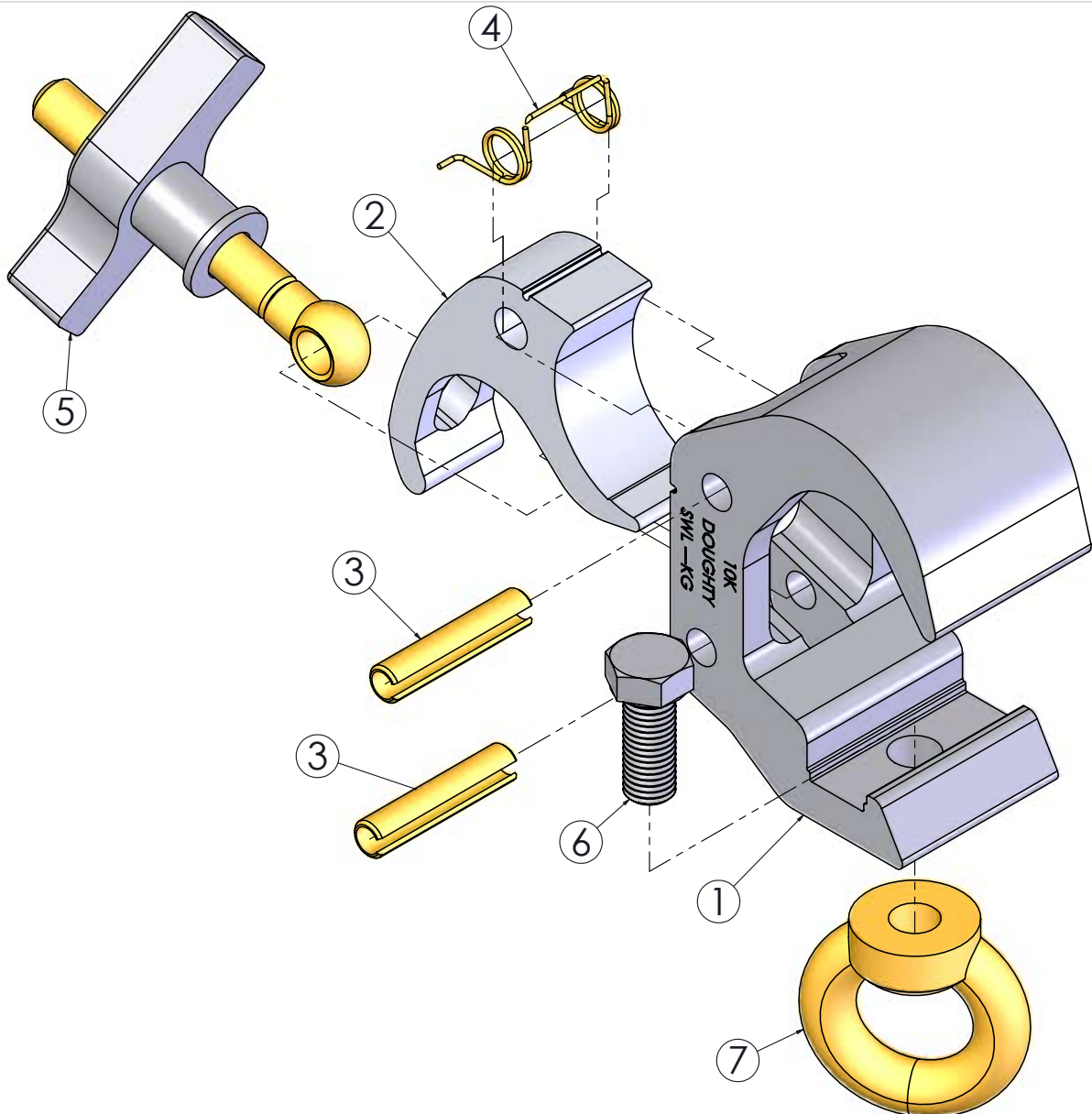
**NOTES:**  
MIN TUBE SIZE - 38MM  
MAX TUBE SIZE - 51MM

**STRICTLY  
FOR  
REFERENCE  
PURPOSES  
ONLY**



THIRD ANGLE PROJECTION





**DOUGHTY PRODUCTS MUST ONLY BE SERVICED / REPAIRED BY  
AN AUTHORISED SERVICE AGENT.  
SPARE PARTS ARE ONLY AVAILABLE TO THESE AGENTS**

ITEM NO.	PART NUMBER	DESCRIPTION	Spares/QTY.
1	TH1977	MACHINED QUICK TRIGGER CLAMP BODY	1
2	TH1978	MACHINED QUICK TRIGGER CLAMP TRIGGER	1
3	F790	0.375" X 1.75" STAINLESS STEEL ROLL PIN	2
4	S1190	SPRING - BASIC QUICK TRIGGER CLAMP (50mm WIDE)	1
5	T78052	M12 X 104 EYEBOLT ASSEMBLY	1
6	F832	M12 X 30 HEX SET BZP	1
7	T42300	M12 EYENUT (340Kg SWL)	1

**T58215 - QUICK TRIGGER  
HANGING CLAMP**

**DOUGHTY**

NOT TO SCALE

<b>DRAWN</b>	AW
<b>DATE</b>	30.09.11
<b>Rev</b>	1



**Doughty Engineering Limited**

CROW ARCH LANE, RINGWOOD, HANTS, BH24 1NZ. ENGLAND

Telephone: +44 (0) 1425 478961 Fax: +44 (0) 1425 474481

www.doughty-engineering.co.uk

email:sales@doughty-engineering.co.uk

**EC DECLARATION OF CONFORMITY**

Doughty Engineering Limited hereby certify that the equipment stated below has been designed to comply with all relevant sections of the specifications referenced below and complies with all the applicable Essential Requirements of the EC Directives and amendments and the National Laws and Regulations adopting these Directives.

**Description:** Quick Trigger Hanging Clamp

**Model/s:** Part No. T58215 / T58216

**SWL:** 250Kg      **Factor:** 5:1

are in conformity with the provision of the following EC Directives:

MACHINERY DIRECTIVE 98/37/EC

**Harmonised Standards applied:**

EN 292-1-2:1991

BS EN ISO 9001:1994

**National Technical Standards & Specifications applied:**

BS 7905-1:2001

Signed:

Date:06-10-11

Name: Stephen Wright

Position: Director

Being the responsible person appointed by the manufacturer.



DEQ 083 Rev 4

Company Registration No. London 972614  
Registered Office: Crow Arch Lane, Ringwood, Hants, BH24 1NZ  
Directors: M.B.Lister. J.C.G. Chiverton. N.D. Curtis. S.C. Wright





**Doughty Engineering Ltd**

Crow Arch Lane

Ringwood, Hampshire, BH24 1NZ

Tel: +44 (0) 1425 478961 Fax: +44 (0) 1425 474481

email: [sales@doughty-engineering.co.uk](mailto:sales@doughty-engineering.co.uk)

Web: [www.doughty-engineering.co.uk](http://www.doughty-engineering.co.uk)

Note: Whilst every effort has been made to ensure that the information contained within this manual is correct, Doughty Engineering does not accept any liability for errors or omissions. Specifications and technical data are intended for guidance purposes only and may vary.